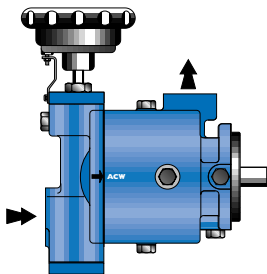
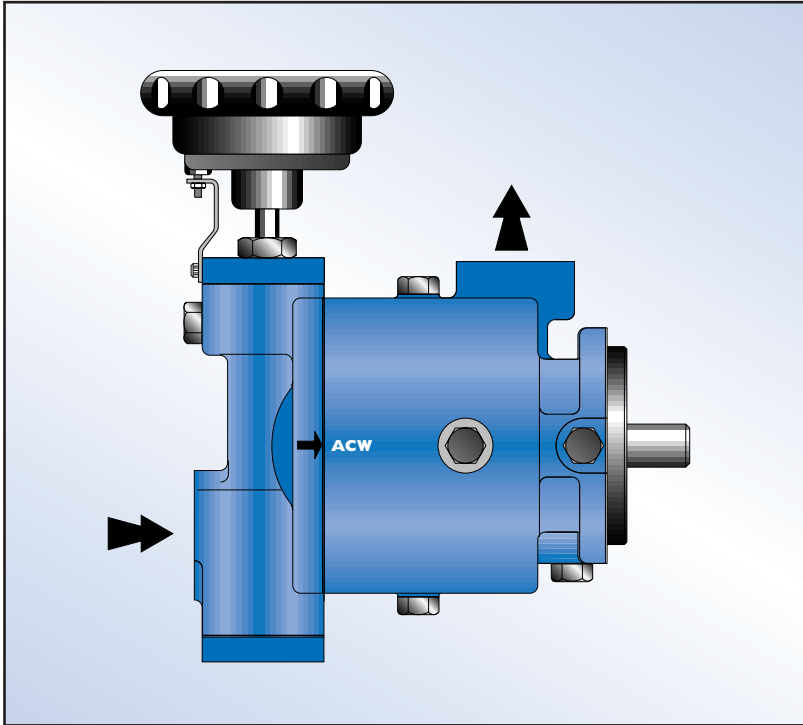
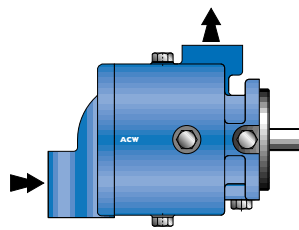


METERING PUMPS FOR P.U. FOAM PRODUCTION



Type MB, MD



Type FA

PERFORMANCE DATA

Model	Size cc/rev	*Max Continuous Speed Bar	**Max Continuous Pressure Bar	Max Boost Pressure Bar	Max Case Pressure Bar
C07	11.5	3000	250	20	20
C20	33.0	3000	250	20	20
P38	62.0	2000	250	20	20
P56	92.0	2000	250	20	20
P76	125.0	1500	250	20	20

* Maximum allowable speed reduces for high viscosity fluids.
 ** Maximum allowable pressure reduces for low viscosity fluids.

Note: For Isocyanate flow rates of less than 15% of maximum, consult ROTARY POWER.

FEATURES

- Designed specifically for the Polyurethane Foam Industry.
- ROTARY POWER pumps have been used in the P.U. Foam Industry since the 1970's.
- Long operating life.
- Cartridge shaft-seal.
- 20 Bar shaft-seal (2).
- Low temperature throughout the pump.
- Pressure balanced controls for ease of operation.
- Leakage indicator ports between shaft seals and at control.
- One design, all fluids:
 - Isocyanates (TDI, MDI)
 - Polyols
 - Polyol-Blowing agent mixes
- 2-hose systems (internal drain).
- Accurate metering.
- Full technical advice and after sales service.

SPECIFICATION

Variable and fixed displacement pumps

Size: 11.5...125cc/rev.

Continuous pressure 250 Bar.

Choice of controls:

- FA – Fixed displacement
- MB – Handwheel fine adjustment
- MD – MB with dial indicator
- ME – MB spindle only
- AA – 2 displacement, adjustable.

For further information consult ROTARY POWER.



ul. A. Struga 10a, 70-777 Szczecin
 tel. : +48 +91 4640 641
 fax : +48 +91 4627 359
 www.phu-nova.eu
 e-mail: nova@phu-nova.eu