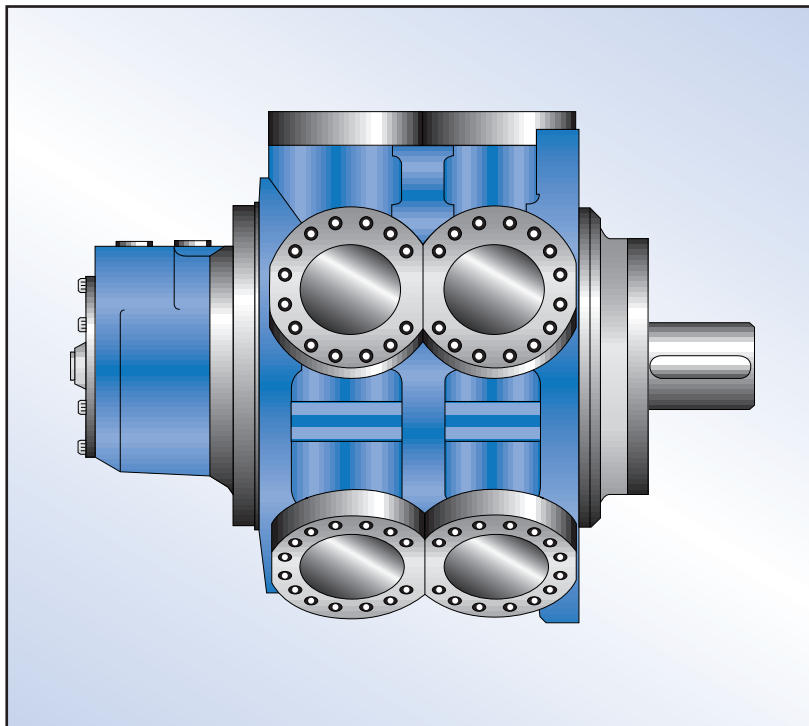


MH MOTORS



FEATURES

- High shaft load capability.
- High shock load capability.
- High starting torque.
- Smooth rotation even at low speeds.
- Reversible.
- Suitable for fire resistant fluids.
- Taper-roller bearings for extremely long service life.
- Very low operating noise.

SPECIFICATION

Fixed displacement motor

Size: 1100...7096cc/rev.

Radial piston eccentric, motor.

Continuous pressure 210 Bar.

For further information consult ROTARY POWER.

PERFORMANCE DATA

Model	Size cc/rev	*Max Continuous Speed rev/min	*Max Continuous Pressure Bar	*Max Continuous Power KW	Specific Torque Nm/100 Bar
MH 67	1100	300	210	71	1751
MH 117	1916	275	210	61	3049
MH 187	3059	250	210	102	4869
MH 217	3548	200	210	68	5647
MH 280 HD	4574	150	280	260	7280
MH 373 HD	6118	150	280	260	9737
MH 433 HD	7096	130	280	260	11290

* For higher speeds, pressures or powers, refer to SMA type motors on page 1.



ul. A. Struga 10a, 70-777 Szczecin
 tel. : +48 +91 4640 641
 fax : +48 +91 4627 359
 www.phu-nova.eu
 e-mail: nova@phu-nova.eu