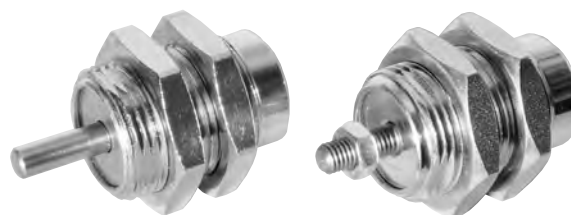


Standard executions		
Version	Symbol	Type
With non-threaded rod		MCN
With threaded rod		MCF



Series of cartridge microcylinders single acting with threaded body.
The threaded body allows a further adjustment of the end position of the stroke.

How to order: 10/15 MCN

Options	Suffix
Special versions on request	/ S

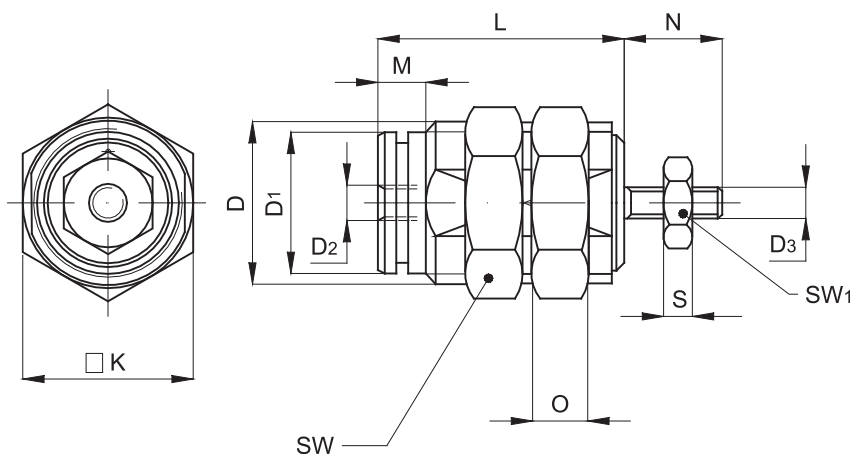
10	/	15	MCN	
Bore	/	Stroke	Type	Option

Seal kits not available for these cylinders.

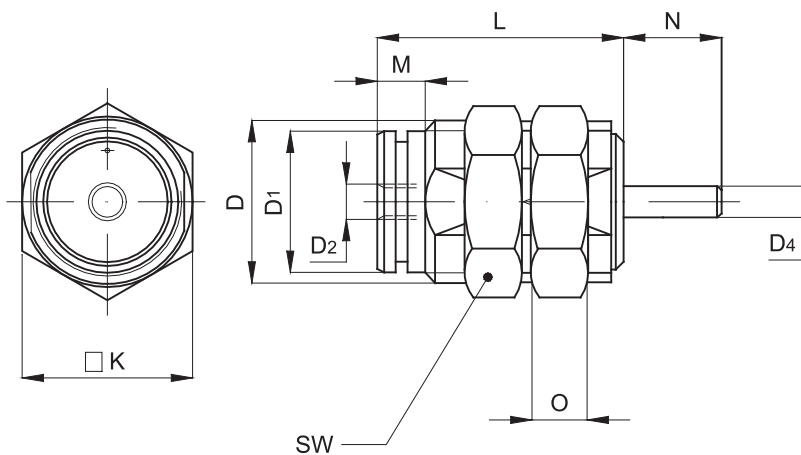
Technical data	
Fluid	Compressed filtered air with or without lubrication. Lubrication, if be used, must be continous.
Pressure range	2 ÷ 7 bar
Temperature range	-20 °C ÷ + 80°C
Materials	Body: Nickel plated brass Rod: Stainless steel AISI 303 Seals: Polyurethane Spring: Stainless steel AISI 302

Bore (mm)	Possible strokes (mm)	Thrust force at 6 bar (N)	Traction force (N)			Maximum side admissible load (N)
			5	10	15	
6	5, 10, 15	14	1,4	2	1,5	0,1
10		42	3,9	3,4	2,9	0,15
16		109	9,9	8,7	7,4	0,20

Type: **MCF**



Type: **MCN**



ø mm	D	D ₁	D ₂	D ₃	D ₄	K	M	L (with the stroke included)			N	O	SW	S	SW ₁
								5	10	15					
6	M10x1	8,5	M5	M3	3	9	5	19,5	26,5	33,5	8	3	14	2,4	5,5
10	M15x1,5	12	M5	M4	4	19	7	23	29,5	36,5	10,5	4	19	2	7
16	M22x1,5	19	M5	M5	5	20	6	27	32	37	13	5	27	4	8